

Weirless Radial diaphragm™ tank valve AJS actuator

Stainless Steel for standard (90 degree) radial diaphragm valves

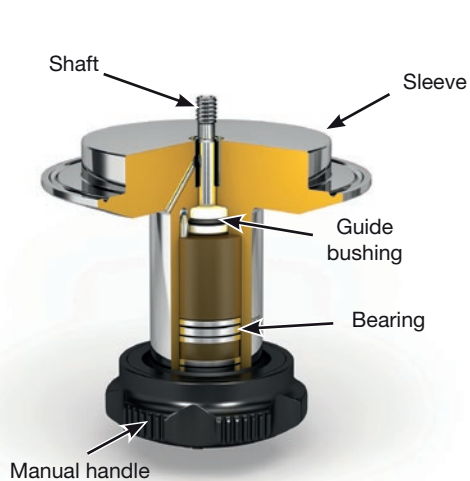
FEATURES AND BENEFITS

- **Stainless steel construction for heavy duty environments**
- **PTFE bushings and EPDM o-rings for long-lasting durability**
- **Manual and pneumatic control options to suit your process needs**
- **Easily mount switches from any manufacturer**
- **Three year warranty**

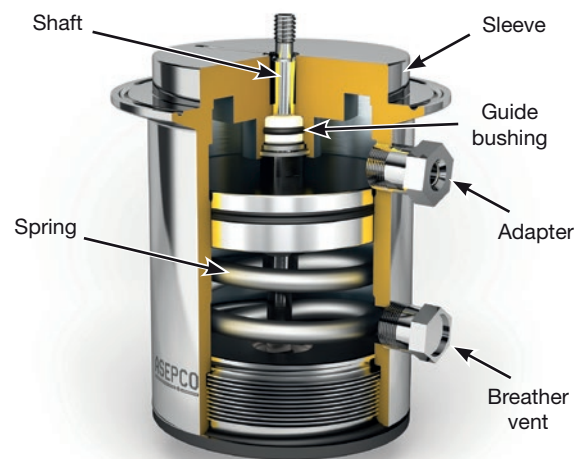


TECHNICAL DATA

Materials	
Actuator Sleeve/Housing	304 stainless steel
Actuator shafts	Nitronic 60 or Gall-Tough® stainless steel
O-rings	EPDM
Seals	EPDM
Bearings	Two sets of stainless steel thrust bearings in nylon cages
Instrumentation	
Position indication	Position-indicating shaft provides visual confirmation of valve position
Pneumatic air connection fitting	1/8-inch NPT (autoclavable)
Environment	
Max pressure	10 bar (150 psig)
Max temperature	135C (275F)
Quality	
Standards	BPE, CE-PED, ASME, 3A
ISO	All product and procedures are governed by our ISO 9001 Quality Assurance Program

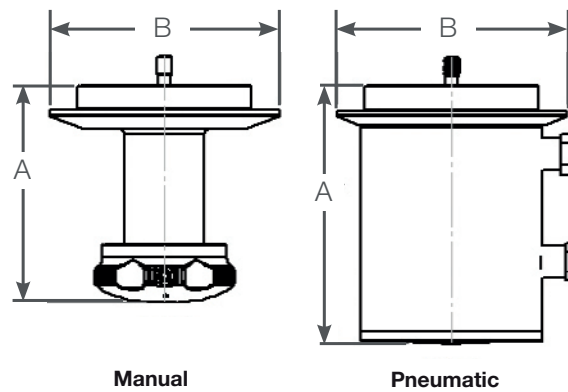


Manual actuator



Pneumatic actuator

DIMENSIONS



Manual

Pneumatic

Manual actuators (MNXX Series)					
Size	A mm (inch)	B mm (inch)	Max travel mm (inch)	Weight (with plastic handle) kg (lb)	Clearance required for removal mm (inch)
0.5	61.0 (2.4)	50.8 (2.0)	5.6 (0.2)	0.5 (1.1)	86.4 (3.4)
1.0	71.1 (2.8)	76.2 (3.0)	7.9 (0.3)	1.0 (2.2)	104.1 (4.1)
1.5	99.1 (3.9)	76.2 (3.0)	14.2 (0.6)	1.1 (2.4)	142.2 (5.6)
2.0	111.8 (4.4)	119.4 (4.7)	14.2 (0.6)	2.1 (4.7)	142.2 (5.6)
3.0	111.8 (4.4)	119.4 (4.7)	19.8 (0.8)	2.1 (4.7)	193.0 (7.6)
4.0	139.7 (5.5)	165.1 (6.5)	25.4 (1.0)	6.2(13.7)	246.4 (9.7)

Pneumatic actuators (PNXX Series)					
Size	A mm (inch)	B mm (inch)	Max travel mm (inch)	Weight kg (lb)	Clearance required for removal mm (inch)
0.5	81.0 (3.2)	50.8 (2.0)	5.6 (0.2)	0.7 (1.6)	86.4 (3.4)
1.0	111.0 (4.4)	76.2 (3.0)	7.9 (0.3)	2.1 (4.7)	104.1 (4.1)
1.5	119.9 (4.7)	76.2 (3.0)	14.2 (0.6)	2.1 (4.7)	142.2 (5.6)
2.0	132.1 (5.2)	119.4 (4.7)	14.2 (0.6)	3.5 (7.8)	142.2 (5.6)
3.0	172.7 (6.8)	119.4 (4.7)	19.8 (0.8)	10.0 (22.1)	266.7 (10.5)
4.0	236.7 (9.3)	165.1 (6.5)	25.4 (1.0)	23.7 (52.2)	355.6 (14.0)

ACTUATOR OPTIONS

The specific options for an actuator not only depends on the type, but also depends on the size.
Please contact ASEPCO to find out the specific options for any particular actuator.

ORDERING INFORMATION

Product number	Product description
	Radial valve manual actuator
MN05	0.5" Weirless Radial tank valve AJS manual actuator
MN10	1.0" Weirless Radial tank valve AJS manual actuator
MN17	1.5" Weirless Radial tank valve AJS manual actuator
MN20	2.0" Weirless Radial tank valve AJS manual actuator
MN30	3.0" Weirless Radial tank valve AJS manual actuator
MN40	4.0" Weirless Radial tank valve AJS manual actuator
	Radial valve pneumatic actuator
PN05	0.5" Weirless Radial tank valve AJS pneumatic actuator
PN10	1.0" Weirless Radial tank valve AJS pneumatic actuator
PN17	1.5" Weirless Radial tank valve AJS pneumatic actuator
PN20	2.0" Weirless Radial tank valve AJS pneumatic actuator
PN30	3.0" Weirless Radial tank valve AJS pneumatic actuator
PN40	4.0" Weirless Radial tank valve AJS pneumatic actuator

Disclaimer: The information contained in this document is believed to be correct but ASEPCO accepts no liability for any errors it contains and reserves the right to alter specifications without notice. It is the users responsibility to ensure product suitability for use within their application. Radial diaphragm is a trademark of ASEPCO Corporation. Tri-Clamp is a registered trademark of Alfa Laval Corporate AB.

ASEPCO

wmftg.com
info.asepco@wmftg.com
+1-650-691-9500