

Inlet Pulse Accumulator series IPA40, IPA65 and IPA100

Bredel

SERIES
Bredel Hose Pumps

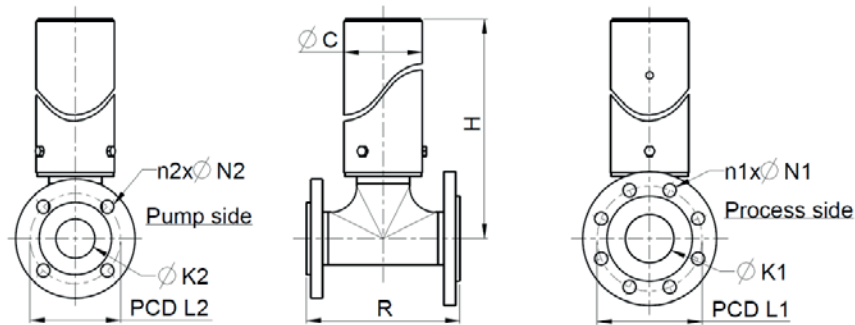
FEATURES AND BENEFITS

- Reduces positive and negative peaks when inlet conditions vary
- Eliminates up to 90% of the pump inlet pulsation
- Provides quieter operation and maximises hose life
- Low maintenance set-up, suitable for any Bredel and APEX pump with hose size from 25mm (1") to 100mm (4")

Consult your Bredel sales representative for advice on selecting an appropriate Inlet Pulse Accumulator for your application.



DIMENSIONS



Dimensions in mm (for DIN/EN flanges)

IPA Type	Pump Type	C	SS H	PVC H	DIN/EN			DIN/EN			SS R	PVC R
					K1	L1	n1 x N1	K2	L2	n2 x N2		
IPA40	APEX28	89	402	396	DN40	110	4 x 18	DN25	85	4 x 14	180	190
IPA40	APEX35	89	402	396	DN40	110	4 x 18	DN32	100	4 x 18	180	190
IPA40	Bredel 25	89	402	396	DN40	110	4 x 18	DN25	85	4 x 14	180	190
IPA40	Bredel 32	89	402	396	DN40	110	4 x 18	DN32	100	4 x 18	180	190
IPA40	Bredel 40	89	402	396	DN40	110	4 x 18	DN40	110	4 x 18	180	190
IPA65	Bredel 50	108	511	513	DN65	145	8 x 18*	DN50	125	4 x 18	212	270
IPA65	Bredel 65	108	694	696	DN65	145	8 x 18*	DN65	145	8 x 18*	212	270
IPA100	Bredel 80	140	776	791	DN100	180	8 x 18	DN80	160	8 x 18	276	390
IPA100	Bredel 100	140	931	946	DN100	180	8 x 18	DN100	180	8 x 18	276	390

*4 x 18 on PVC version

Dimensions in inches (for ANSI flanges)

IPA Type	Pump Type	C	SS H	PVC H	ANSI			ANSI			SS R	PVC R
					K1	L1	n1 x N1	K2	L2	n2 x N2		
IPA40	APEX28	3.5	15.8	15.6	1 1/2	3 7/8	4 x 5/8	1	3 1/8	4 x 5/8	7.1	7.5
IPA40	APEX35	3.5	15.8	15.6	1 1/2	3 7/8	4 x 5/8	1 1/2	3 7/8	4 x 5/8	7.1	7.5
IPA40	Bredel 25	3.5	15.8	15.6	1 1/2	3 7/8	4 x 5/8	1	3 1/8	4 x 5/8	7.1	7.5
IPA40	Bredel 32	3.5	15.8	15.6	1 1/2	3 7/8	4 x 5/8	1 1/4	3 1/2	4 x 5/8	7.1	7.5
IPA40	Bredel 40	3.5	15.8	15.6	1 1/2	3 7/8	4 x 5/8	1 1/2	3 7/8	4 x 5/8	7.1	7.5
IPA65	Bredel 50	4.3	20.1	20.2	2 1/2	5 1/2	8 x 3/4	2	4 3/4	4 x 3/4	8.3	10.6
IPA65	Bredel 65	4.3	27.3	27.4	2 1/2	5 1/2	8 x 3/4	2 1/2	5 1/2	8 x 3/4	8.3	10.6
IPA100	Bredel 80	5.5	30.6	31.1	4	7 1/2	8 x 3/4	3	6	8 x 3/4	10.9	15.4
IPA100	Bredel 100	5.5	36.7	37.2	4	7 1/2	8 x 3/4	4	7 1/2	8 x 3/4	10.9	15.4

TECHNICAL SPECIFICATIONS

	IPA40	IPA65	IPA100
Assembly weight - SS version	9.1kg (20lb)	17.3kg (38lb)	34.5kg (76lb)
Assembly weight - PVC version	3.8kg (8.4lb)	10kg (22lb)	25kg (55lb)
Maximum working pressure on suction line	350kPa, 3.5bar (50psi)		
Ambient temperature	-20C to 45C (-4F to 113F)		
Product temperature	-10C to 80C (14F to 176F)		
Storage temperature	-40C to 70C (-40F to 158F)		
Available hose materials	NR, NBR, EPDM		
Available flanges	EN (DIN), ANSI		

MATERIALS OF CONSTRUCTION

	IPA40, IPA65, IPA100
T-piece and flanges	AISI 316 or PVC
Protection hood	AISI 304
O-ring	NBR

ORDERING CODES AND SELECTION OPTIONS

For ordering please advise:

- Flange size and type
- Pump size and type
- Required material for hose
- Required material for T-piece and flanges

For further information on Inlet Pulse Accumulators please contact your Bredel representative.

Replacement hose element			Part number				
Hose type	Material	Colour code	IPA40/25 IPA40/32 IPA40/40	IPA65/50	IPA65/65	IPA100/80	IPA100/100
NR	Natural rubber	Purple	28-IP04004020	28-IP06505020	28-IP06506520	28-IP10008020	28-IP10010020
NBR	Nitrile rubber	Yellow	28-IP04004040	28-IP06505040	28-IP06506540	28-IP10008040	28-IP10010040
EPDM	EPDM	Red	28-IP04004075	28-IP06505075	28-IP06506575	28-IP10008075	28-IP10010075

The material of the inner extruded liner of the hose determines the hose type. Each hose type is marked by a unique colour code.

The IPA hose liner material should be chemically resistant to the product to be pumped.
A matching hose should be selected relative to your application.

- A** - Outer extruded layer made of natural rubber
- B** - Two nylon reinforcement layers
- C** - Inner extruded liner

