

The ASEPCONNECT™ Inline Close Couple Aseptic Connector

ASEPCO
High Purity Valves and
Magnetic Mixers

Designed for Critical Aseptic Processing Applications

ASEPCO close connects are for connecting flush-mounted probes and instruments to process lines. They are easier to install and clean than the alternatives, and have ASEPCO's patented aseptic seal, which is based on the same reliable seal that you find in our valves.

Features

Clean, aseptic design for use in critical aseptic processing applications

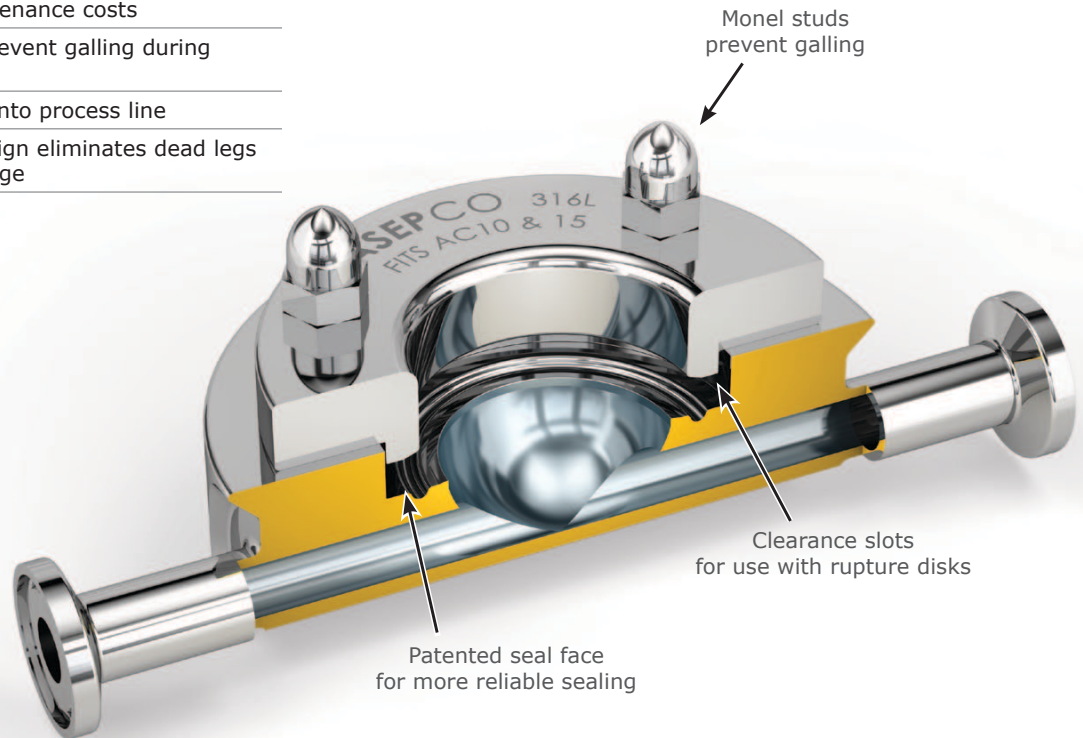
Patented sealing face improves gasket sealing edge to eliminate leakage

Easy to place, seal, inspect, thereby lowering maintenance costs

Monel studs prevent galling during maintenance

Easily clamps into process line

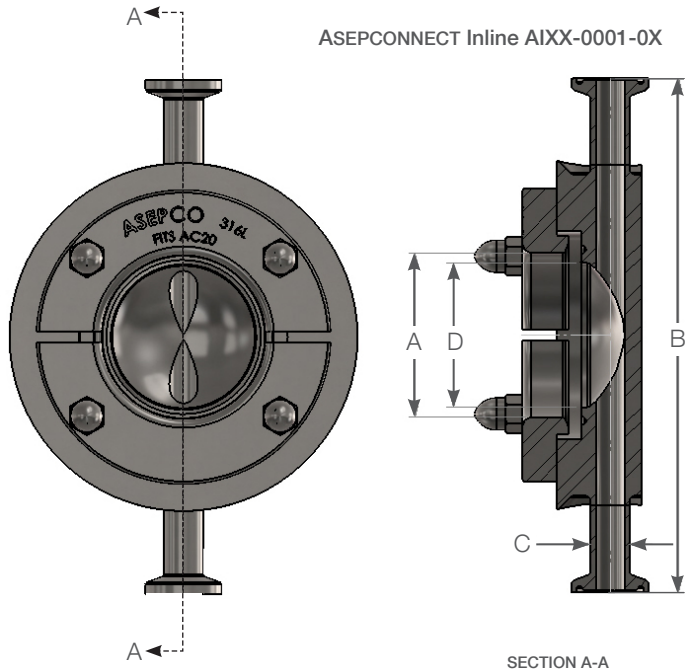
Integrated design eliminates dead legs and joint leakage



ASEPCONNECT Inline Specifications

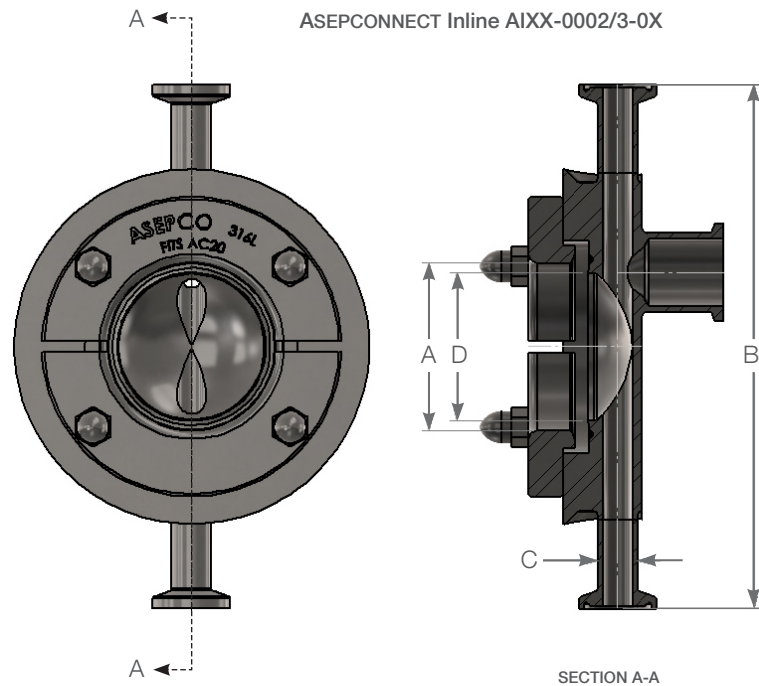
Material	316L, AL6XN, Hastelloy
Surface Finish	Max 20 micro-inch Ra (0.5 μ m Ra), Electropolished Max 15 micro-inch Ra (0.375 μ m Ra), Electropolished Max 10 micro-inch Ra (0.25 μ m Ra), Electropolished
Sizes	1.5 inch and 2 inches standard; other sizes are available upon request
Connection	Tri-clamp component connection
Design Pressure	-14.5 to 101.5 psig (Maximum working pressure is determined by the design pressure of the gasket being used in the assembly.)
Design Temperature	-80 to 200°C (Maximum working temperature is determined by the design pressure of the gasket being used in the assembly.)
Marking	Each connector is marked for full material traceability
ISO	All product and procedures are governed by our ISO Quality Assurance Program
Standards	BPE, CE-PED, ASME

Please contact our Customer Service Department for any non-standard valve requirement (800) 882-3886.



ASEPCONNECT Inline AIXX-0001-0X Dimensions

Size	A	B	C	D
inches	in (mm)	in (mm)	in (mm)	in (mm)
1.50	1.64 (41.7)	6.15 (156.2)	0.50 (12.7)	1.37 (34.8)
2.00	2.13 (54.1)	6.65 (168.9)	0.50 (12.7)	1.87 (47.5)



ASEPCONNECT Inline AIXX-0002/3-0X Dimensions

Size	Weirless Size	A	B	C	D
inches	inches	in (mm)	in (mm)	in (mm)	in (mm)
1.50	0.50	1.64 (41.7)	6.15 (156.2)	0.50 (12.7)	1.37 (34.8)
2.00	0.50	2.13 (54.1)	6.65 (168.9)	0.50 (12.7)	1.87 (47.5)
1.50	0.75	1.64 (41.7)	6.15 (156.2)	0.75 (19.1)	1.37 (34.8)
2.00	0.75	2.13 (54.1)	6.65 (168.9)	0.75 (19.1)	1.87 (47.5)

Weights

Size	ASEPCONNECT Inline AIXX-0001	ASEPCONNECT Inline AIXX-0002	ASEPCONNECT Inline AIXX-0003
inches	lb (Kg)	lb (Kg)	lb (Kg)
1.50	4.0 (1.81)	3.9 (1.77)	4.6 (2.09)
2.00	5.2 (2.36)	4.8 (2.18)	5.6 (2.54)