

400RXMD Robust precision pumps for integration in to your medical device

400 series Watson-Marlow Pumps

FEATURES

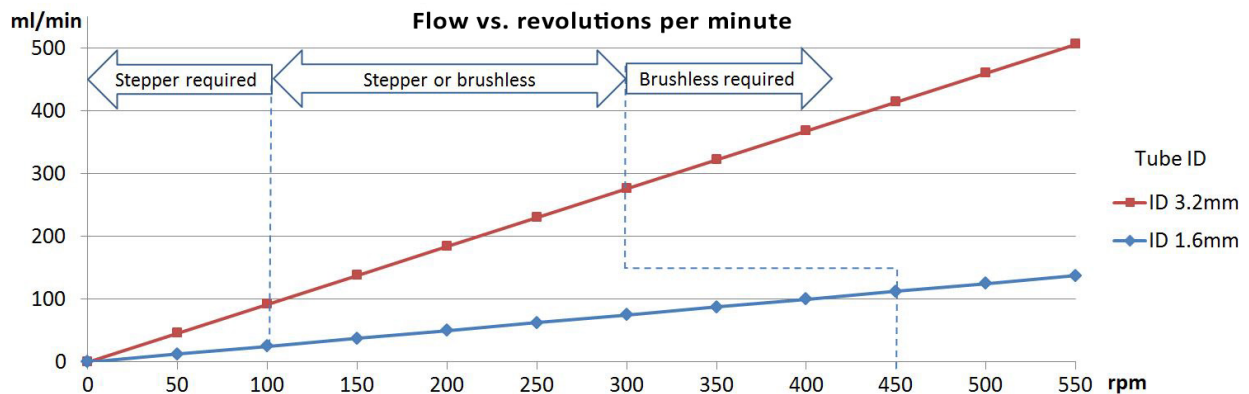
- Three different pressure settings up to 6 bar (87psi) back pressure, with flow rates up to 500 ml/min
- Optional customised pressure setting for optimal performance
- Fast and trouble-free tube loading
- Flow direction arrows for user guidance and clear safety guard for visible running detection
- Materials that withstand demanding applications and are easy to clean
- Robust design with machined parts for outstanding quality performance
- Mechanical safety switch as standard to stop the pump running when guard is lifted



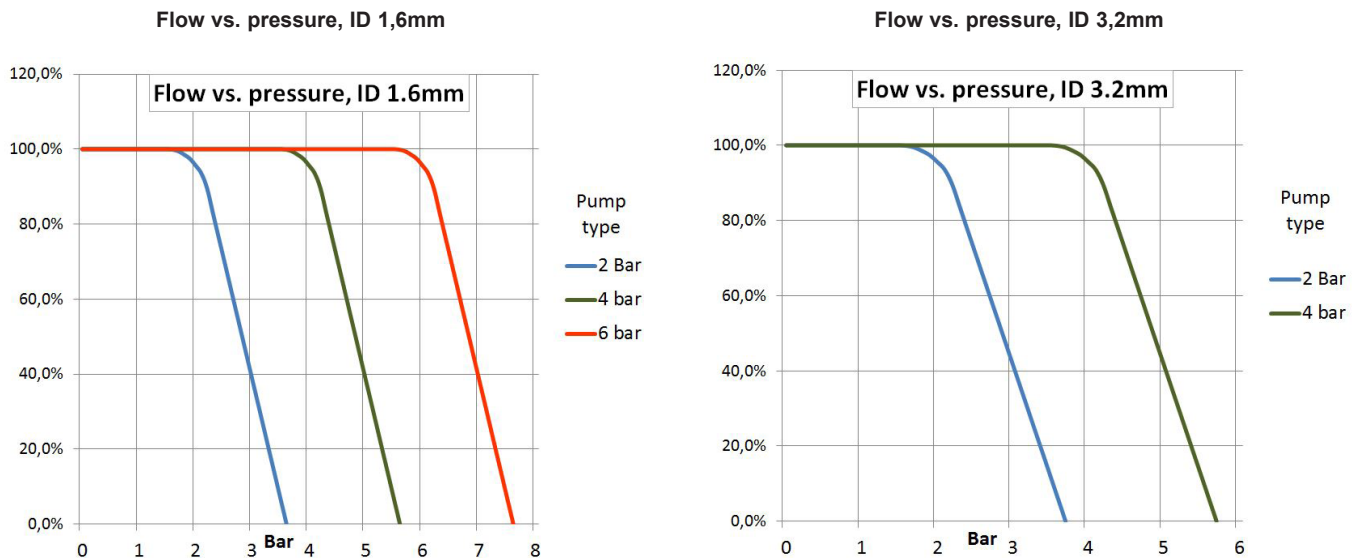
Watson-Marlow... Innovation in Full Flow

PERFORMANCE

Flow vs. Tube dimension and rotation speed (revolutions per minute)

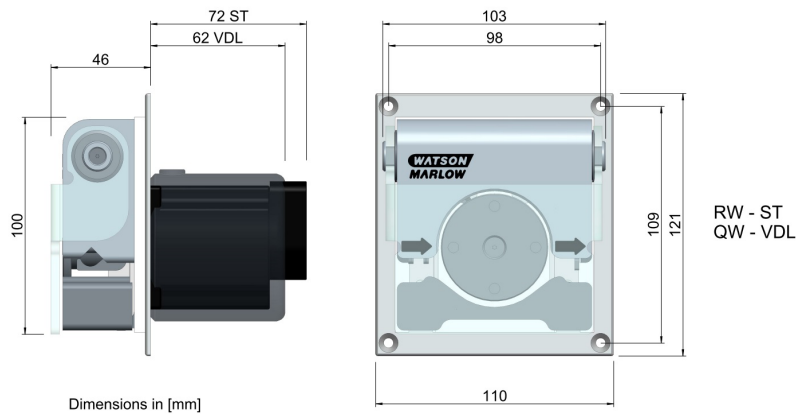


Pressure performance



Pressure performance is valid for standard pumps with Tygon E3603 at 200 rpm

DIMENSIONS



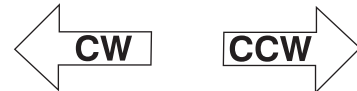
SPECIFICATIONS

Pump type	Single channel pump
Motor type standard	Brushless DC motor
Motor type optional	Stepper motor
Recommended use	Continuous or intermittent applications
Motor speed - standard/VDL	100 - 550rpm
Motor speed - stepper/ST	1.6mm tubing -1-450rpm, 3.2mm tubing-1-300rpm
Operation	CW or CCW
Approx motor life	Up to 20,000 hours
Supply voltage	24V DC
Brushes	None
Operating temperature	+5 to +40C
Weights	1.25kg - VDL 1.37kg - ST-S

MATERIALS OF CONSTRUCTION

Component	Material
Housing	Anodised aluminium
Track	
Rotor	Stainless steel
Rollers	
Tube holder	
Track holder	
Shafts	
Springs	Acrylic glass
Safety lid	
Plain bearings	Acetal

Direction of flow vs. rotation



Electrical parameters

Standard Motor	Min. power (W)	Max. power (W)	Current consumption
Brushless 24V	10W @ 2 bar ID 1.6mm	30W @ 4 bar ID 3.2 mm	Max. 1250mA
Stepper 24V	60W @ 2 bar ID 1.6mm	60W @ 4 bar ID 3.2 mm	Max. 2500mA

ORDER INFORMATION

RXMD	
Part number	Product description
040.QW27.031	400VDL/RXMD CW 1.6mm 2 bar
040.QW27.032	400VDL/RXMD CW 1.6mm 4 bar
040.QW27.033	400VDL/RXMD CW 1.6mm 6 bar
040.QW27.011	400VDL/RXMD CCW 1.6mm 2 bar
040.QW27.012	400VDL/RXMD CCW 1.6mm 4 bar
040.QW27.013	400VDL/RXMD CCW 1.6mm 6 bar
040.QW27.034	400VDL/RXMD CW 3.2mm 2 bar
040.QW27.035	400VDL/RXMD CW 3.2mm 4 bar
040.QW27.014	400VDL/RXMD CCW 3.2mm 2 bar
040.QW27.015	400VDL/RXMD CCW 3.2mm 4 bar
040.RW27.031	400ST/RXMD CW 1.6mm 2 bar
040.RW27.032	400ST/RXMD CW 1.6mm 4 bar
040.RW27.033	400ST/RXMD CW 1.6mm 6 bar
040.RW27.011	400ST/RXMD CCW 1.6mm 2 bar
040.RW27.012	400ST/RXMD CCW 1.6mm 4 bar
040.RW27.013	400ST/RXMD CCW 1.6mm 6 bar
040.RW27.034	400ST/RXMD CW 3.2mm 2 bar
040.RW27.035	400ST/RXMD CW 3.2mm 4 bar
040.RW27.014	400ST/RXMD CCW 3.2mm 2 bar
040.RW27.015	400ST/RXMD CCW 3.2mm 4 bar

Tube ordering codes		
Bore/wall	Tygon E-LFL	E3603 (PVC)
1.6mm/1.6mm	E-LFL.0016.016	E3603.016.16
3.2mm/1.6mm		E3603.032.16

All flow rates shown were obtained pumping water at 20C (68F) with zero suction and delivery heads. Watson-Marlow, Bioprene and Marprene are trademarks of Watson-Marlow Limited. Disclaimer: The information contained in this document is believed to be correct but Watson-Marlow Limited accepts no liability for any errors it contains, and reserves the right to alter specifications without notice. LoadSure is a trademark of Watson-Marlow Limited. STA-PURE PFL® and STA-PURE PCS® are registered trademarks of W.L Gore & Associates Inc. Please state the product code when ordering pumps and tubing.

**WATSON
MARLOW**
Pumps

wmpg.co.uk
+44 (0) 1326 370370
info@wmpg.co.uk