

Weirless Radial diaphragm™ tank valve AKS actuator

for standard (90 degree) Weirless Radial diaphragm tank valves

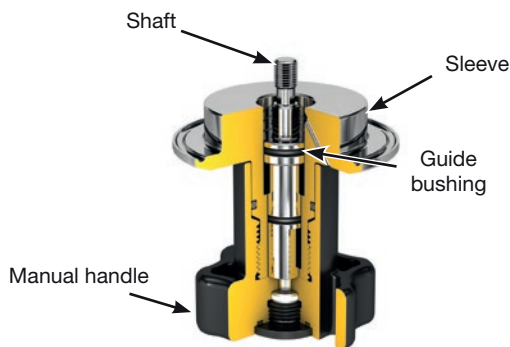
FEATURES AND BENEFITS

- Hygienic design with laser-etched serial numbers for full product traceability
- Lightweight stainless steel and plastic construction with 304 SS sleeve and nylon handle
- Visual indication of open/closed status
- 10 bar (150 psig) maximum sealing force
- Three year warranty

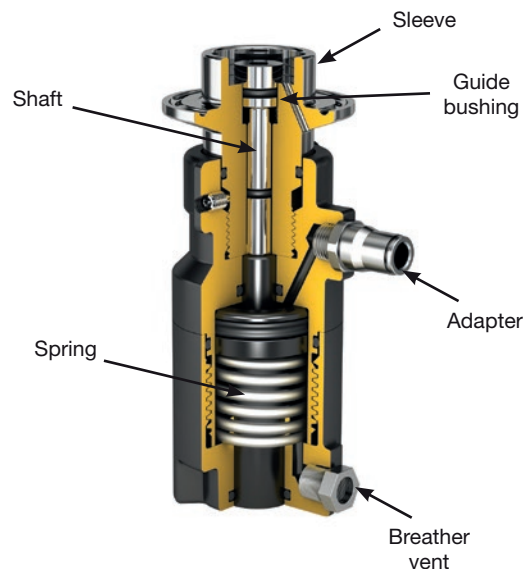


TECHNICAL DATA

Materials	
Diaphragm Housing	Stainless steel sleeve with nylon handle
Actuator shafts	304 stainless steel
O-rings	EPDM
Instrumentation	
Position indication	Position indication on manual actuator sleeves and on pneumatic actuator shafts provide visual confirmation of valve position
Pneumatic air connection fitting	1/8 inch NPT
Environment	
Max pressure	10 bar (150 psig)
Max temperature	135C (275F)
Quality	
Standards	BPE, CE-PED, ASME
ISO	All product and procedures are governed by our ISO 9001 Quality Assurance Program

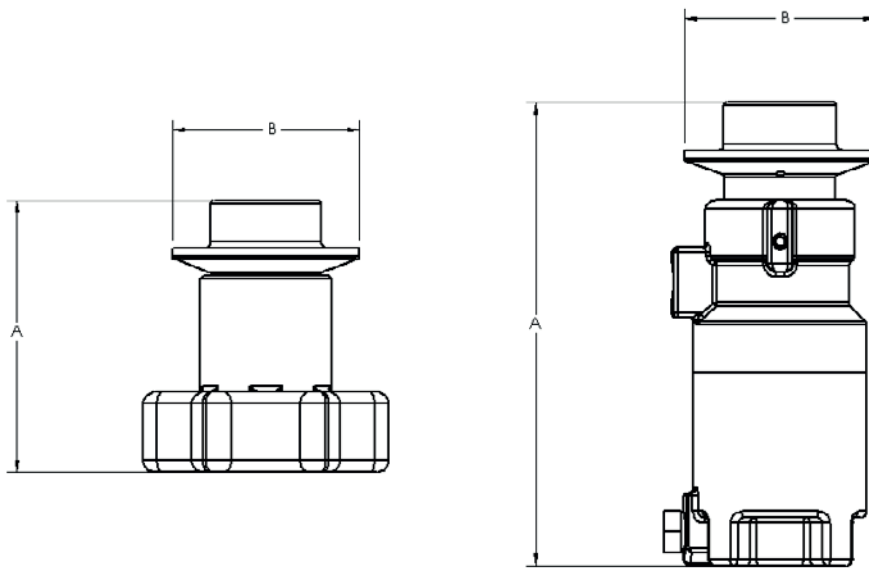


Manual actuator



Pneumatic actuator

DIMENSIONS



Manual actuators (MNXX Series)					
Size	A mm (inch)	B mm (inch)	Max travel mm (inch)	Weight kg (lb)	Clearance required for removal mm (inch)
0.5	73.0 (2.9)	50.4 (2.0)	4.4 (0.2)	0.4 (0.8)	124.5 (4.9)
1.0	80.4 (3.2)	75.8 (3.0)	5.1 (0.2)	0.7 (1.5)	157.5 (6.2)
1.5	80.4 (3.2)	75.8 (3.0)	8.4 (0.3)	0.7 (1.5)	157.5 (6.2)

Pneumatic actuators (PNXX Series)					
Size	A mm (inch)	B mm (inch)	Max travel mm (inch)	Weight kg (lb)	Clearance required for removal mm (inch)
0.5	122.3 (4.8)	50.4 (2.0)	4.3 (0.2)	0.5 (1.0)	172.7 (6.8)
1.0	149.8 (5.9)	75.8 (3.0)	7.3 (0.3)	1.1 (2.5)	226.1 (8.9)
1.5	151.8 (6.0)	75.8 (3.0)	7.7 (0.3)	1.1 (2.5)	228.6 (9.0)

ORDERING INFORMATION

Product number	Product description
MN05-01	0.5" Weirless Radial tank valve AKS manual actuator
MN10-01	1.0" Weirless Radial tank valve AKS manual actuator
MN17-01	1.5" Weirless Radial tank valve AKS manual actuator
PN05-01	0.5" Weirless Radial tank valve AKS pneumatic actuator
PN10-01	1.0" Weirless Radial tank valve AKS pneumatic actuator
PN17-01	1.5" Weirless Radial tank valve AKS pneumatic actuator

Disclaimer: The information contained in this document is believed to be correct but ASEPCO accepts no liability for any errors it contains and reserves the right to alter specifications without notice. It is the users responsibility to ensure product suitability for use within their application. Radial diaphragm is a trademark of ASEPCO Corporation. Tri-Clamp is a registered trademark of Alfa Laval Corporate AB.

A member of Watson-Marlow Fluid Technology Group, A Spirax-Sarco Engineering plc company

ASEPCO

wmftg.com
info.asepco@wmftg.com
+1-650-691-9500