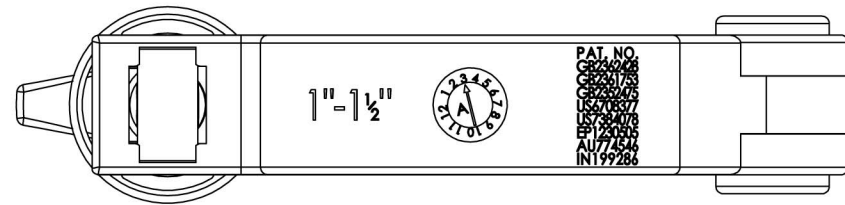
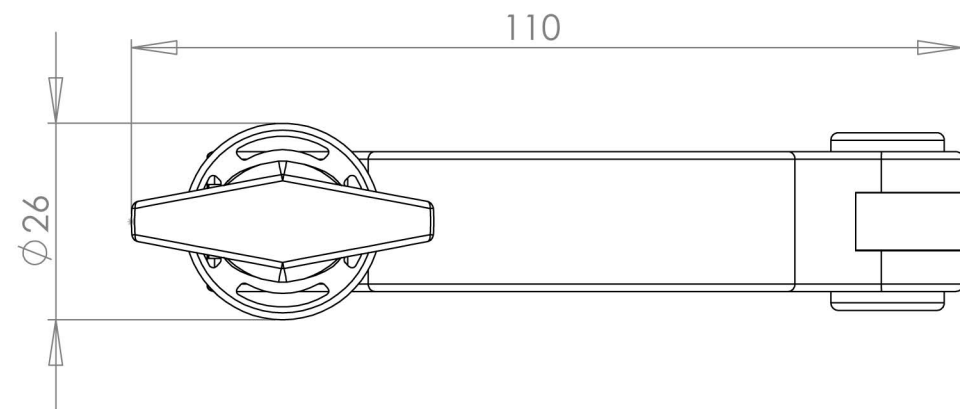
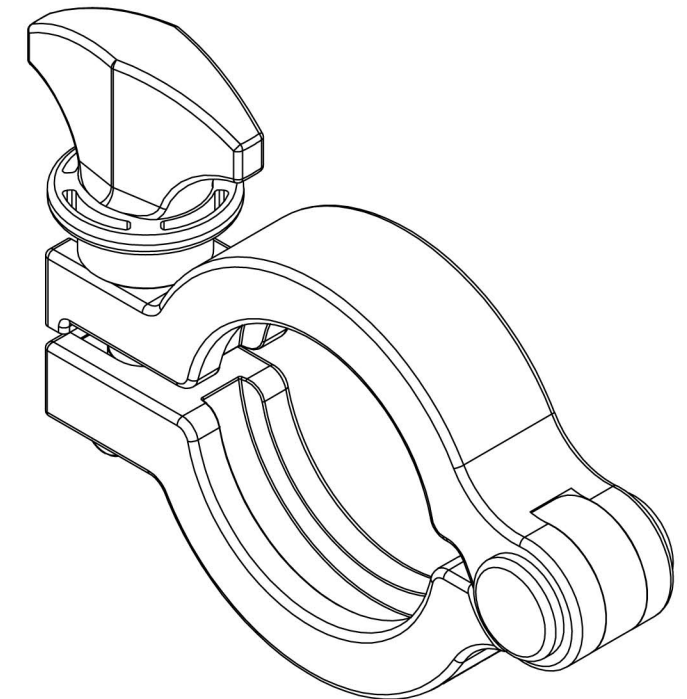
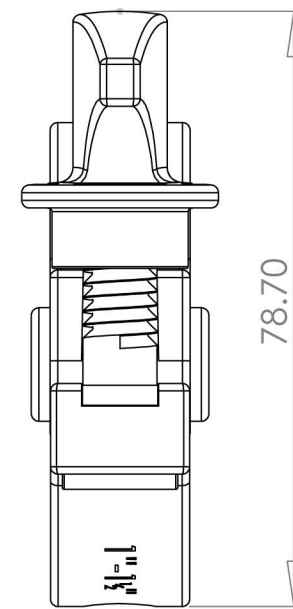
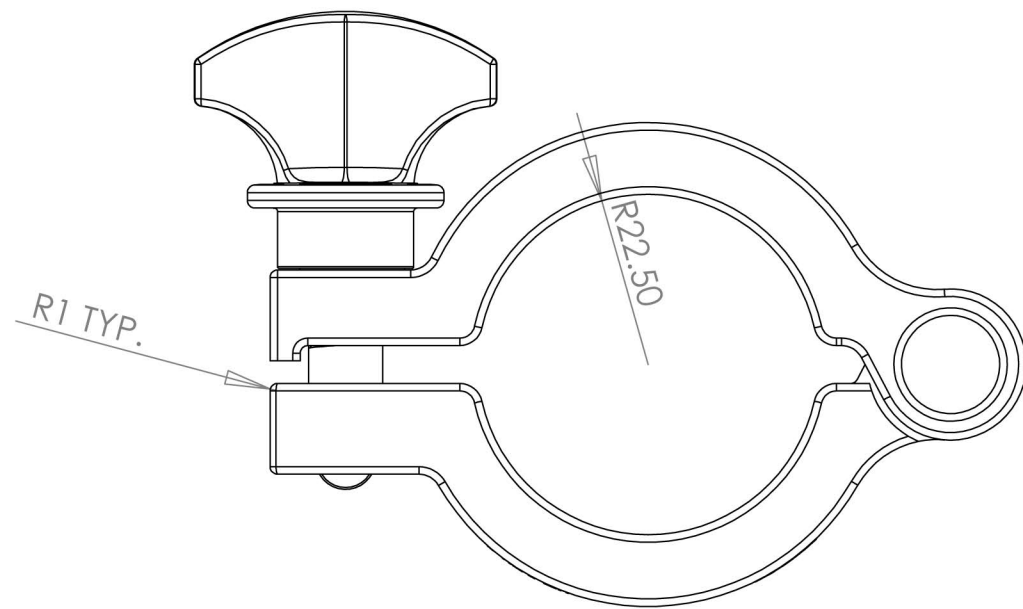


UK PAT NO:GB2362428  
 UK PAT NO:GB2361753  
 UK PAT NO:GB2352475  
 USA PAT NO:US6708377  
 USA PAT NO:US7384078  
 EUR PAT NO: EP1230505  
 AUSTRALIAN PAT NO:AU774546  
 INDIA PAT NO:IN199286



SIZE CLOCK PAT.NO.



copyright ©  
 This drawing and its associated design is the property of Bio-pure technology Ltd & may not be copied or used for any purpose other than that for which it was supplied, without the express written authority of bio pure technology Ltd.



**BioPure Technology Ltd,**  
 Unit M1, Hazleton Interchange,  
 Lakesmere Road, Horndean, PO8 9JU.  
 Tel: +44 (0) 2392 499000  
 Fax: +44 (0) 2392 499001  
 Email: sales@biopuretech.com  
 Web: www.biopuretech.com

ITEM	QTY	PART ID	MATERIAL	FILE NAME: CLAMP 1,5 ASSY
UNLESS OTHERWISE STATED DIMENSIONS IN mm			FINISH: WHITE WT192	TITLE: <b>BIO-CLAMP NG150WHT</b>
			MATERIAL: GLASS REINFORCED NYLON	
TOLERANCE 0 DEC PLACE +/- 0.5mm 1 DEC PLACE +/- 0.25mm		SIZE A4	ISSUE: SHEET: 1	PART NO: <b>NG150WHT</b>
		SCALE NTS	DEBUR AND BREAK SHARP EDGES	
			WEIGHT: DENSITY:	