

CIP 40

Bredel CIP hose pumps

Bredel

Hose Pumps

Features and benefits

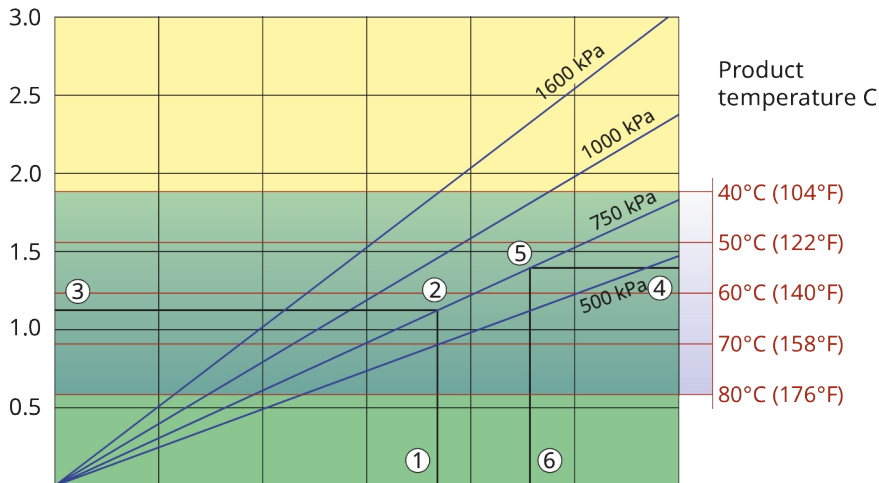
- 3A and FDA certified
- Food approved NBR pump hose, with NSF® registered food grade lubricant
- Stainless steel sanitary connectors range includes DIN, ASA or JIS
- Shoes on the rotor retract automatically for cleaning of pump element inside
- Cam actuated electrically, pneumatically or manually
- Maximum sterilization temperature 120 °C
- Bredel CIP 40 flow rates up to 4,800 L/h (42 GPM), pressures up to 16 bar (232 psi)



CIP 40 performance

Bredel CIP 40

Required motor power kW



Pump speed	rpm	20	40	60
Capacity	L/h	1600	3200	4800
Capacity	USGPM	7.0	14.1	21.1

1. Flow required indicates pump speed
2. Calculated discharge pressure
3. Net motor power required
4. Product temperature
5. Calculated discharge pressure
6. Maximum recommended pump speed

- Continuous duty
- Intermittent duty

* Maximum 3 hours operation followed by minimum 1 hour stop

Technical specifications

	CIP 40
Max. flow rate continuous	4788 L/h
Max. flow rate continuous	1263 USGPH
Max. flow rate intermittent	4788 L/h
Max. flow rate intermittent	1263 USGPH
Volume per revolution	1.33 L
Volume per revolution	0.35 USG
Max. continuous operating speed	60 rpm
Max. intermittent operating speed	60 rpm
Max. operating pressure	16 bar
Max. operating pressure	232 psi
Max. suction capability	9.5 mWC
Max. suction capability	374 inWC
Suction capability (80% Flow rate)	9 mWC
Suction capability (80% Flow rate)	354 inWC
Operating temperature range	-20 °C to 45 °C
Operating temperature range	-4 °F to 113 °F
Fluid temperature range	-20 °C to 80 °C
Fluid temperature range	-4 °F to 176 °F
Min. starting torque	320 N m
Min. starting torque	2832 in.lbs
Weight	175 kg
Weight	386 lbs
Pumphead weight	139 kg
Pumphead weight	306 lbs
Hose lubricant required	10 L
Hose lubricant required	2.6 USG
Port configurations	Down, Left, Right, Up
Compatible hose materials	CSM, EPDM, F-NBR, NBR, NR, NR-Metering, NR-Transfer
Compatible tube materials	Bioprene
Flange assembly type	ANSI, DIN, JIS
Sanitary connector options	DIN 11851, DIN 11864, IDF, RJT, SMS, Tri-clamp

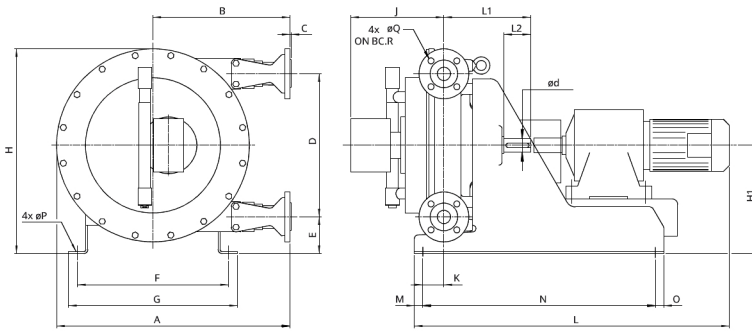
Please consult your Bredel representative for lower or higher temperature operation.

Allowable ambient temperature is based on pump capabilities and may be further limited by gearbox ambient capabilities.

Materials of construction

	CIP 40
Hose material	Bioprene (tube), CSM, EPDM, F-NBR, Natural rubber (NR), NBR, NBR for food, NR-Metering
Housing	Cast iron
Rotor assembly	Cast iron
Cover assembly	Cast iron
Brackets and fasteners	Stainless steel 316
Support frame	Galvanised steel, Stainless steel 316
Hose clamps	Stainless steel 316
Seals	NBR

CIP 40 dimensions



Type	A	B	C	C	D	Ød	E	F	G	H	H1	Jmax	K	L	L1	L2	M	N	O	Q	R
Bredel CIP 40 (mm)	702	412	2.5	10	430	40	110	454	508	615	325	414	64	*	260	80	25	700	25	18	110
Bredel CIP 40 (inches)	27.6	16.2	0.1	0.4	16.9	1.57	4.3	17.9	20.0	24.2	12.8	16.3	2.5	*	10.2	3.1	1.0	27.6	1.0	0.7	4.3

Disclaimer: The information contained in this document is believed to be correct at the time of publication, but Watson-Marlow Bredel BV accepts no liability for any error it contains, and reserves the right to alter specifications without prior notice. All mentioned values in this document are values under controlled circumstances at our test bed. Actual flow rates achieved may vary because of changes in temperature, viscosity, inlet and discharge pressures and/or system configuration. APEX, DuCoNite, Bioprene and Bredel are registered trademarks.

wmfts.com/global



22 November 2023