

ReNu SU Technology cartridge

Quantum

Watson-Marlow Pumps

FEATURES AND BENEFITS

- Choose from a range of industry standard aseptic connectors
- Maintain batch integrity
- Assemblies available with 10^{-6} sterility assurance level
- Maximise manufacturing flexibility and eliminate operator error
- Suitable for use with the Quantum pump
- Pressures up to 3 bar and flows up to 20 litres/min



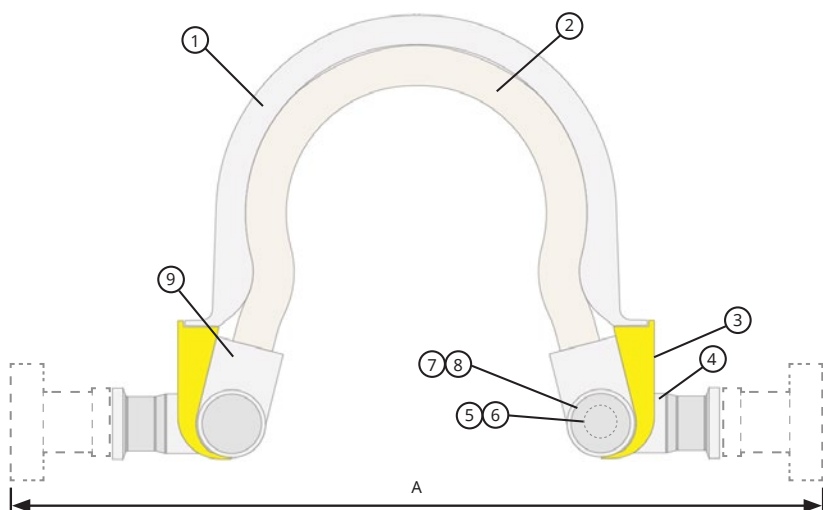
ReNu
SU TECHNOLOGY

Watson-Marlow...Innovation in Full Flow

TECHNICAL DATA

Characteristic	Universal
Part number	33-1061-000001
Connection type	3/4" TC
Operating temp range (°C)	5 - 37
Max Flow	20 litres/min (1200 litres/hr)
Min flow	2 litres/min (120 litres/hr) Recommended lower operational limit (lower flows are possible)
Tube ID	8.8mm
Life (Hrs)	3 Bar, 20 litres/min, 24 hrs
Static pressure limit	Do not exceed 6 Bar
Total cartridge volume (ml)	139
Wetted surface area (cm ²)	Total area = 416 cm ² Tubing (polyurethane) 297 cm ² Manifolds (HDPE USP VI) 119 cm ²
Priming	Self priming
Validation	USP 85,88,87,788, ISO 10993 - 4/6/10/11 Extractables test data available
BSE/TSE Safe	Yes, Compliant with EMEA 410/01 Rev 3
Tube gas Q permeability for oxygen	21 [m ² /(sPa)×10 ⁻¹⁸]
Shelf life (years)	2
Traceability	All material fully traceable back to raw materials
Dry running time (mins)	Do not exceed 2 mins

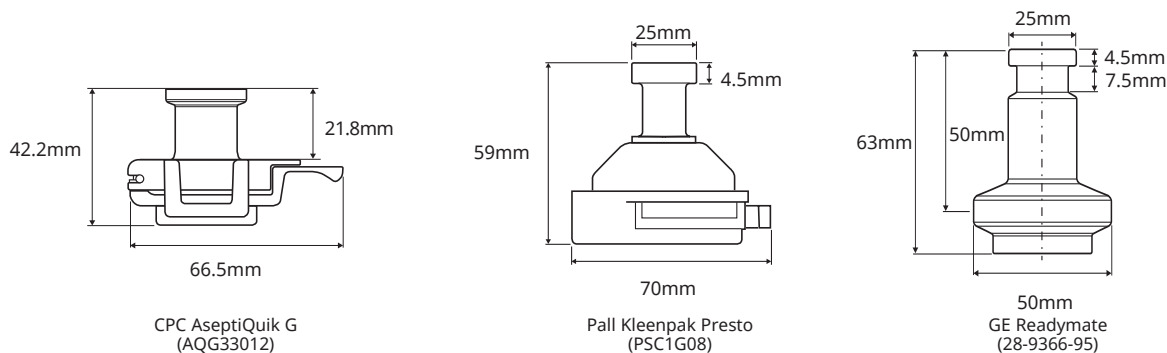
DIMENSIONS



Component	Material	
1	Quantum track liner	HDPE (USPVI)
2	Quantum tube element	Polyurethane
3	Label, Product	Paper
4	Quantum manifold	HDPE (USPVI)
5	Quantum end cap	HDPE (USPVI)
6	Magnet	Neodymium, N35SH
7	Quantum cover plate	HDPE (USPVI)
8	Label, end cap	Paper
9	Quantum collet/joiner	Nylon 66

Aseptic connector	Dimension A (mm)
Kleenpak Presto Sterile Connector, 3/4" TC	313.0
Readymate Disposable Aseptic Connector, 3/4" TC	313.0
AseptiQuik G Genderless Connector, 3/4" TC	277.5
Cartridge only (no connectors)	195.0

Standard Aseptic Connectors



ReNu SU Cartridge Product Codes - RENU SU CARTRIDGE 600 20/3P			
Partcode	Description	Additional details	End termination
33-1061-000001	RENU SU CARTRIDGE 600 20/3P	Not gamma irradiated	2 x 3/4" TC sealed with Bioendcap
33-1061-000002	RENU SU CARTRIDGE 600 20/3P, IRRADIATED	Gamma irradiated and released based on an exposure of 25 kGy to 45 kGy	
33-1062-000002	RENU SU 600 20/3P GAMMA WITH PRESTO IN/OUT-STR	Gamma irradiated at 25kGy to 45kGy and certified (SAL) level of 1×10^{-6} CFU	2 x Kleenpak Presto Sterile Connector, 3/4" TC (PSC1G08)
33-1062-000003	RENU SU 600 20/3P GAMMA WITH READYMATE IN/OUT-STR	Gamma irradiated at 25kGy to 45kGy and certified (SAL) level of 1×10^{-6} CFU	2 x Readymate Disposable Aseptic Connector, 3/4" TC (28-9366-95)
33-1062-000004	RENU SU 600 20/3P GAMMA WITH ASEPTIQUIK G IN/OUT-STR	Gamma irradiated at 25kGy to 45kGy and certified (SAL) level of 1×10^{-6} CFU	2 x AseptiQuik G Genderless Connector, 3/4" TC (AQG33012)

- 1 This assembly has been gamma irradiated and released based on an exposure of 25 kGy to 45 kGy.
 - 2 A sterilisation validation study has been conducted according to the ISO11137-2, Method V_{Dmax25} to verify that that a master assembly will meet a sterility assurance level (SAL) of 10^{-6} , when irradiated to a minimum of 25 kGy. This product has been released on the basis of being a section of the master assembly validation study.
 - 3 Installation recommendations— Avoid sharp bends in pipework. Recommended minimum exit hose length is 2 meters.
- STR Denotes that this product is supplied with sterility assurance

ORDER INFORMATION

ReNu SU Technology Product Codes - Cartridge Assemblies				
Partcode	Description	Assembly tubing length	Additional details	End termination
33-1063-000001	RENU SU 600 20/3P GAMMA ASEPTIQUIK G IN/OUT, 0.5/0.5 MTR STR	0.5m (x2)	Gamma irradiated at 25kGy to 45kGy and certified (SAL) level of 1 x 10 ⁻⁶ CFU	2 x AseptiQuik G Genderless Connector, 3/4" TC (AQG33012)
33-1063-000002	RENU SU 600 20/3P GAMMA ASEPTIQUIK G IN/OUT, 1.0/1.0 MTR STR	1.0m (x2)	Gamma irradiated at 25kGy to 45kGy and certified (SAL) level of 1 x 10 ⁻⁶ CFU	
33-1063-000003	RENU SU 600 20/3P GAMMA ASEPTIQUIK G IN/OUT, 2.0/2.0 MTR STR	2.0m (x2)	Gamma irradiated at 25kGy to 45kGy and certified (SAL) level of 1 x 10 ⁻⁶ CFU	
33-1063-000004	RENU SU 600 20/3P GAMMA ASEPTIQUIK G IN/OUT, 3.0/3.0 MTR STR	3.0m (x2)	Gamma irradiated at 25kGy to 45kGy and certified (SAL) level of 1 x 10 ⁻⁶ CFU	

ReNu SU Connection Kit Product Codes				
Partcode	Description	Assembly tubing length	Additional details	End termination
33-1069-000001	RENU SU CONNECTION KIT, BRAID TUBING, 3/4" TC, 0.5 MTR-NON	0.5m	NA	2 x 3/4 TC sealed with Bioendcap
33-1069-000002	RENU SU CONNECTION KIT, BRAID TUBING, 3/4" TC, 1 MTR-NON	1.0m	NA	
33-1069-000003	RENU SU CONNECTION KIT, BRAID TUBING, 3/4" TC, 3 MTR-NON	3.0m	NA	
33-1069-000004	RENU SU CONNECTION KIT, BRAID TUBING, 3/4" TC, 2 MTR-NON	2.0m	NA	

Kits comprise of:
 1 x tubing (Biopure 15.9mm ID Pt Silicone single braided hose) ends terminated with BioBarb™ 5/8" Mini.
 Fittings (supplied loose):
 2 x Q-Clamp Tamper Evident Cover, Yellow
 2 x Q-Clamp, 1/2" - 3/4" TC
 2 x Sanitary Gasket, 3/4" Unflanged

Packing/Sterility details: All components are manufactured and assembled in ISO 14644 class 7 (class 10,000, Grade C) cleanrooms of production facilities operating ISO 9001 quality management systems. The cleanrooms are air conditioned to ensure temperature and humidity.

MATERIALS OF CONSTRUCTION (CARTRIDGE ASSEMBLIES AND CONNECTION KITS)

Component	Material
Biopure Pt Silicone single braided hose	Platinum cured braid-reinforced silicone hose
BioBarb 5/8" Mini	Polypropylene
Q-Clamp Tamper Evident Cover, Yellow	Polypropylene
Q-Clamp, 1/2" - 3/4" TC	Glass Reinforced Nylon
Sanitary Gasket, 3/4" Unflanged	Silicone
BioEndCap	Polypropylene
Kleenpak Presto Sterile Connector, 3/4" TC	See manufacturers data - Pall (PSC1G08)
Readymate Disposable Aseptic Connector, 3/4" TC	See manufacturers data - GE (28-9366-95)
AseptiQuik G Genderless Connector, 3/4" TC	See manufacturers data - CPC (AQG33012)

The information contained in this document is believed to be correct but Watson-Marlow Limited accepts no liability for any errors it contains and reserves the right to alter specifications without notice. It is the users responsibility to ensure product suitability for use within their application. Watson-Marlow, LoadSure, Qdos, ReNu, LaserTraceability, Pumpsil, PureWeld XL, Bioprene, Marprene are registered trademarks of Watson-Marlow Limited. Tri-Clamp is a registered trademark of Alfa Laval Corporate AB. GORE and STA-PURE are registered trademarks of W.L. Gore and Associates.



wmftg.com
 info@wmftg.com
 +44 (0) 1326 370370